

D228 PRO

2 MP IR Fixed-focal Bullet Network Camera



Accessories

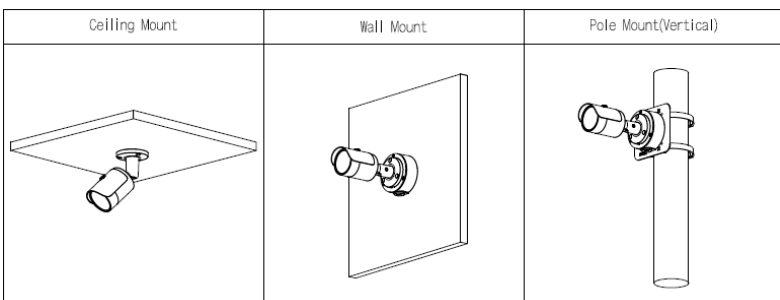
PFA134



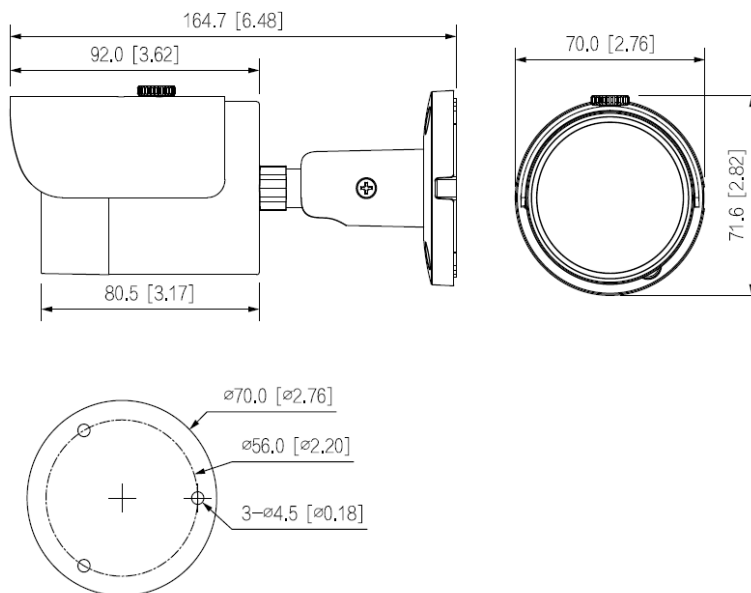
PFA152-E



Installation Method



Dimensions mm (inch)



Technical Specification

Camera

Image Sensor	1/2.7" CMOS
Max. Resolution	1920 (H) × 1080 (V)
ROM	16 MB
RAM	64 MB
Scanning System	Progressive
Electronic Shutter Speed	Auto/Manual 1/3 s–1/100000 s
Min. Illumination	0.01 lux@F2.0 (Color,30 IRE) 0.001 lux@F2.0 (B/W,30 IRE) 0 lux (Illuminator on)
S/N Ratio	>56 dB
Illumination Distance	30 m
Illuminator On/Off Control	Auto / Manual
Illuminator Number	18 (IR LED)
Pan/Tilt/Rotation Range	Pan: 0°–360° Tilt: 0°–90° Rotation: 0°–360°

Technical Specification

Lens

Lens Type	Fixed-focal				
Lens Mount	M12				
Focal Length	2.8 mm				
Max. Aperture	F2.0				
Field of View	Horizontal: 102°; Vertical: 54°; Diagonal: 120°				
Iris Control	Fixed				
Close Focus Distance	0,5 m				
DORI Distance	Lens	Detect	Observe	Recognize	Identify
		38,6 m	15,4 m	7,7 m	3,9 m

Video

Video Compression	H.265; H.264; H.264H; H.264B; MJPEG (only supported by the sub stream)
Smart Codec	Smart H.265+; Smart H.264+
Video Frame Rate	Main stream: 1920 × 1080@1–25/30 fps Sub stream: 704 × 576@1–25 fps 704 × 480@1–30 fps *The values above are the max. frame rates of each stream; for multiple streams, the values will be subjected to the total encoding capacity.
Stream Capability	2 streams
Resolution	1080p (1920 × 1080); 1.3M (1280 × 960); 720p (1280 × 720); D1 (704 × 576/704 × 480); VGA (640 × 480); CIF (352 × 288/352 × 240)
Bit Rate Control	CBR/VBR
Video Bit Rate	H.264: 32 kbps–6144 kbps H.265: 12 kbps–6144 kbps
Day/Night	Auto(ICR)/Color/B/W
BLC	Yes
HLC	Yes
WDR	DWDR
White Balance	Auto; natural; street lamp; outdoor; manual; regional custom
Gain Control	Auto / Manual
Noise Reduction	3D NR
Motion Detection	OFF/ON (4 areas, rectangular)
Region of Interest (RoI)	Yes (4 areas)
Smart Illumination	Yes
Image Rotation	0°/90°/180°/270° (Support 90°/270° with 1080p resolution and lower)
Mirror	Yes
Privacy Masking	4 areas

Alarm

Alarm Event	Network disconnection; IP conflict; illegal access; motion detection; video tampering; security exception
-------------	---

Network

Network Port	RJ-45 (10/100 Base-T)
SDK and API	Yes
Network Protocol	IPv4; IPv6; HTTP; TCP; UDP; ARP; RTP; RTSP; SMTP; FTP; DHCP; DNS; NTP; Multicast
Interoperability	ONVIF (Profile S/Profile T); CGI; P2P; Genetec
User/Host	6 (Total bandwidth: 36 M)
Storage	FTP
Browser	IE: IE11; Chrome; Firefox
Management Software	Smart PSS; DSS; DMSS
Mobile Client	iOS; Android
Cyber Security	Video encryption; configuration encryption; Digest; WSSE; account lockout; security logs; generation and importing of X.509 certification; HTTPS; trusted boot; trusted execution; trusted upgrade

Certification

Certifications	CE-LVD: EN 62368-1 CE-EMC: Electromagnetic Compatibility Directive 2014/30/EU FCC: 47 CFR FCC Part 15, Subpart B
----------------	--

Power

Power Supply	12 VDC/PoE (802.3af)
Power Consumption	Basic: 1.5 W (12 VDC); 2.3 W (PoE) Max. (ICR +H.265+ IR intensity): 4.3 W (12 VDC); 5.5 W (PoE)

Environment

Operating Temperature	-40°C to +60°C
Operating Humidity	≤95%
Storage Temperature	-40 °C to +60 °C
Protection	IP67; IK10

Structure

Casing Material	Metal + plastic
Product Dimensions	164.6 mm × Φ71.8 mm
Net Weight	0,39 kg
Gross Weight	0,50 kg